

Backdraft Damper • 7½" Deep • Single Thickness Blade • Round Frame • Stainless Steel • -35°F to 180°F Temperature

STANDARD CONSTRUCTION

FRAME: 16 GA. stainless steel, 7½" deep.

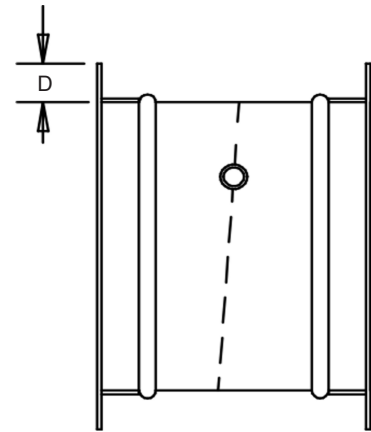
BLADE: 16 GA. stainless steel, reinforced for frames over 20" dia.

AXLE: ½" dia. stainless steel, continuous.

BEARINGS: Flange oilite bronze.

SEALS: On frame, ¼" thick closed cell neoprene. Temperature range is -35°F to 180°F.

FINISH: No 2B type 304 stainless steel.



Equal leg angles are available. They are welded to frames at intermittent spacing and caulked between welds. Flange Height "D" varies with damper diameter.

OPTIONS

Counter balance - mounted to blade or installed on extended shaft.

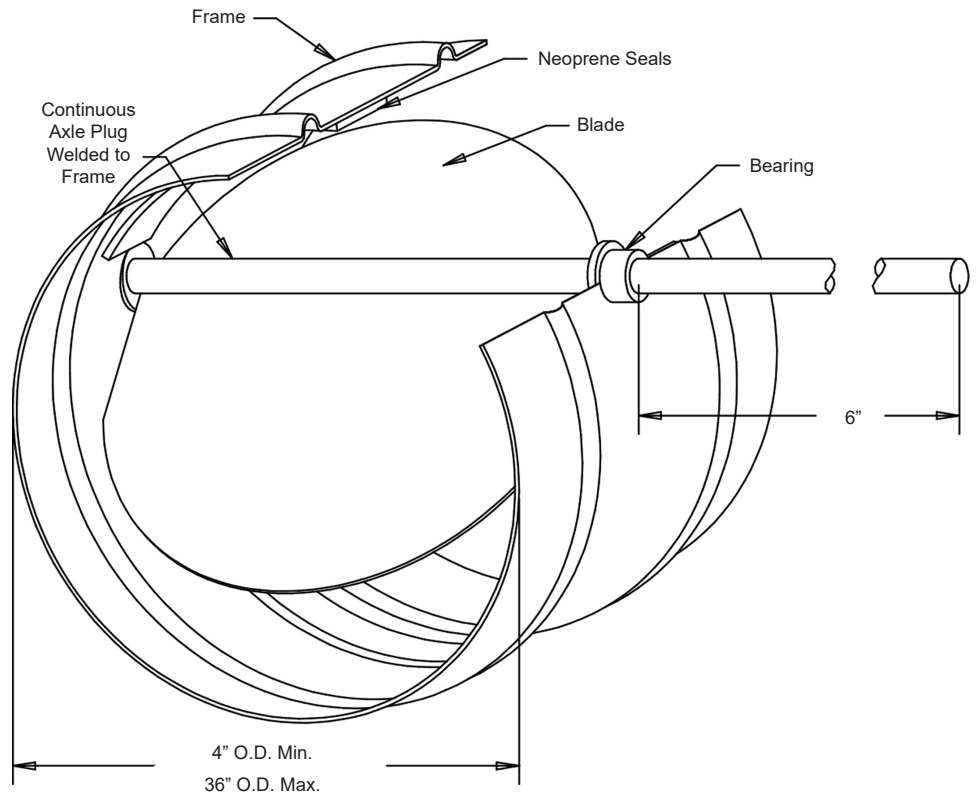
NOTES

- Nominal deductions will be made to the opening size given.
- Please contact the factory for damper sizes larger than 36" diameter.
- When ordering a counter balance, please specify type: assist or resist opening.
- Damper sizes of 12" dia. and less shall have a counter balance located on an extended shaft only.
- To calculate approximate shipping weight (lbs./in.), use following formula:


$$\text{Damper Circumference (Diameter [in.] } \times 3.141) \times 0.3$$

DAMPER SIZES

Minimum Size	Maximum Size
4" O.D.	36" O.D.



Please inquire for larger sizes.

Item #	Qty	Damper Size O.D.	Counter Balance		Remarks	 Union Made
			Assist	Resist		
Arch. / Eng.:			EDR:		ECN:	Job:
Contractor:						
Project:			Date:		DWN:	DWG:

In the interest of product development, Louvers & Dampers reserves the right to make changes without notice.